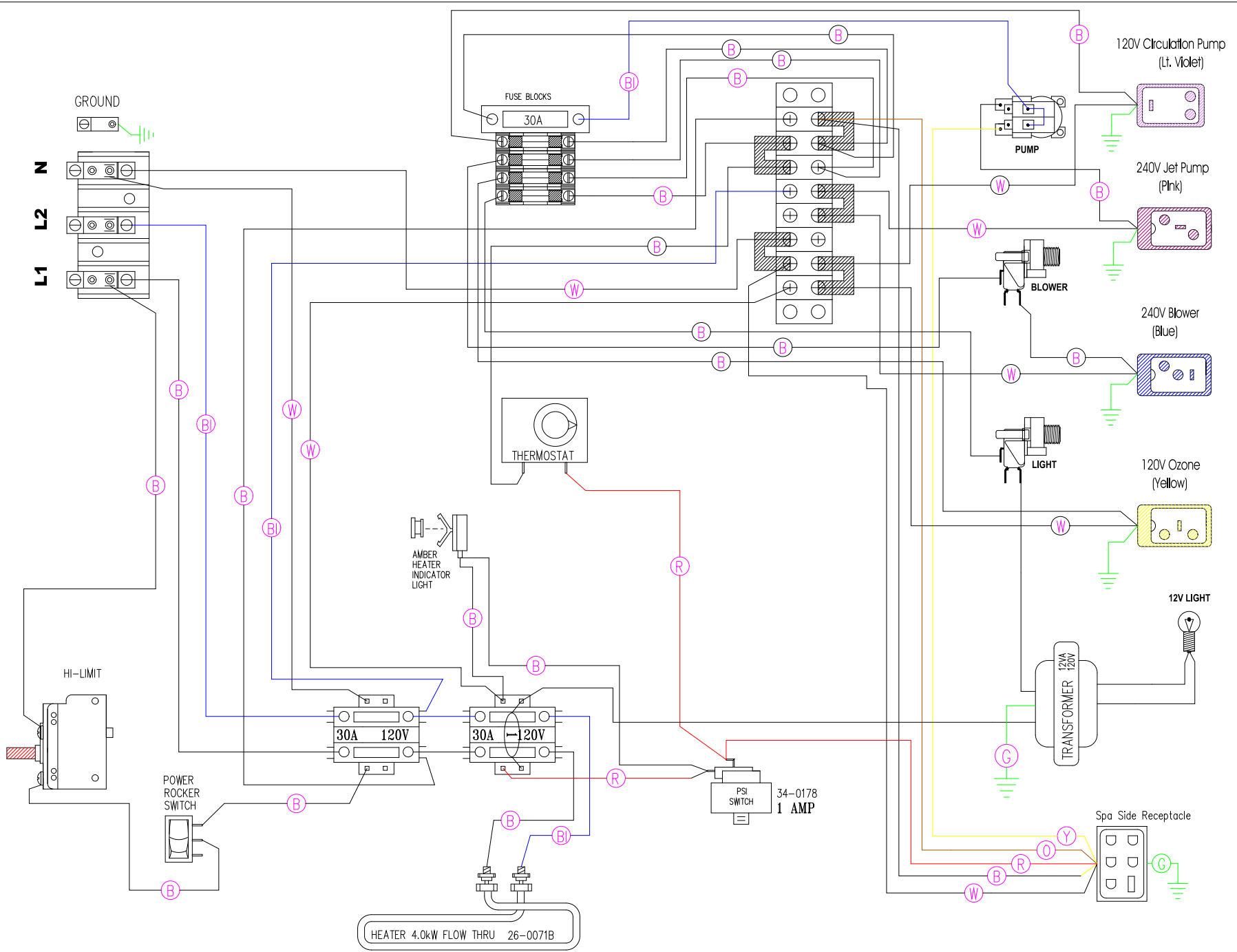


USE COPPER CONDUCTORS ONLY



HYDROQUIP™
 510A N. Sheridan St. Corona, CA 92880
 Phone: (951) 273-7575 Fax: (800) 332-7190

Manufacture Notes: *Component wiring is set at factory default of 120 VAC, unless otherwise noted.
 NOTE #1 - ON CONTACTOR INDICATES CAPACITOR.
 NOTE #2 - CONNECTED TO NEUTRAL SIDE OF UNIVERSAL TERMINAL BLOCK (SOME MODELS PRECONFIGURED AT FACTORY TO 240V)
 NOTE #3 - [XXX] DENOTES THE COLOR OF HEAT SHRINK USED.

Dwg. No. **621G0-ADKNY**
 Approved By:
 Drawn MBS
 Date 04.01.08
 Rev 1
 Diagram No. **3060**

Wire Color Code	
B - Black	G - Green
Br - Brown	Bl - Blue
R - Red	V - Violet
O - Orange	W - White
Y - Yellow	Gr - Gray